



## IMPACT® 2 MANIFOLD

For use with Impact 2 and Impact Mini filters for photochemical filtration including photoresist and solvents

### Overview

The Impact® 2 manifold has been designed to be used with the Impact 2, Impact Mini style filters. The manifold is used extensively by all major OEM's 300 mm coaters.

#### Superior Design

- The Impact 2 manifold provides rapid filter changeout with minimal chemical exposure: With NO tools and NO draining required, you can change the filter in less than 1 minute!
- Compact, stable design provides easy installation

#### Superior Manufacturing

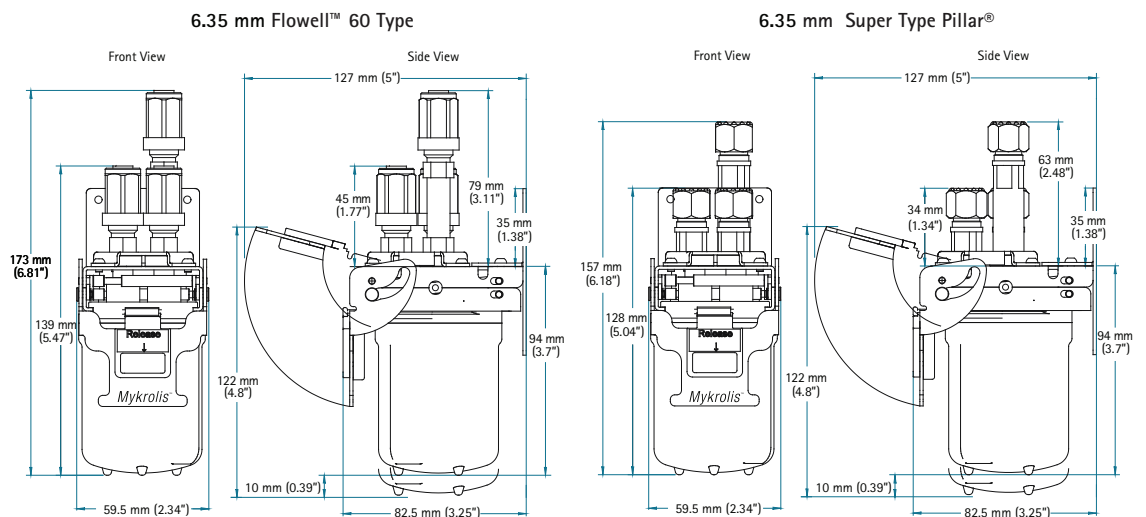
- Manufactured in a world-class, ISO 9001 Quality Systems Standard facility
- Manufactured, tested and packaged in a cleanroom to ensure product cleanliness

#### Superior Performance

- Rapid filter changeout with minimal exposure to process fluids
- Disposable point-of-use filters for small to midvolume process fluid filtration needs



### Dimensions



## Specifications

Material:	Nonwetted surface	Stainless steel
	Internal wetted surface	PFA
Fittings:	6.35 mm	Flowell 60 Type
	4 mm/3 mm	Flowell 60 Type
	5 mm/3 mm	Flowell 60 Type
	6 mm/4 mm	Flowell 60 Type
	6.35 mm	Pillar® Super Type
Maximum operating conditions:	Maximum inlet pressure	0.34 MPa (3.4 bar, 50 PSI) @ 25°C
	Maximum operating temperature	40°C (104°F)

## Ordering Information

### MANIFOLDS

	Part Number		Description
	With Kalrez Perfluoroelastomer O-rings	With EPDM O-ring	
A2MX222K1		A2MX22201	Impact 2 Manifold Flowell 60 Type 6.35 mm OD 3.95 mm ID
A2MX222KT	A2MX222ET	A2MX2220T	Impact 2 Manifold Flowell 60 Type 6.35 mm OD 4.35 mm ID
		A2MX44401A	Impact 2 Manifold Flowell 60 Type 4 mm I/O and 3 mm V/D
		A2MX55501A	Impact 2 Manifold Flowell 60 Type 5 mm I/O and 3 mm V/D
		A2MX66601A	Impact 2 Manifold Flowell 60 Type 6 mm I/O and 4 mm V/D
A2MP222K1		A2MP22201	Impact 2 Manifold, Super Pillar Type 6.35 mm

### FILTERS

Part Number		Description
OM	OF	
A2SF20M01	A2SF20MK1	Impact 2 5 nm Asymmetric UPE
A2ST20M01	A2ST20MK1	Impact 2 10 nm Asymmetric UPE
A2AT20M01	A2AT20MK1	Impact 2 V2 10 nm Symmetric UPE
A2AX20M01	A2AX20MK1	Impact 2 V2 20 nm Symmetric UPE
A2MX20M01	A2MX20MK1	Impact 2 V2 20 nm PCM Symmetric UPE
A2AZ20001	A2AZ200K1	Impact 2 V2 50 nm Symmetric UPE
A2MZ20001	A2MZ200K1	Impact 2 V2 50 nm PCM Symmetric UPE
A2AV20001	A2AV200K1	Impact 2 V2 0.1 µm Symmetric UPE
A2AG20001	A2AG200K1	Impact 2 V2 0.2 µm Symmetric UPE
	AMSF200K1	Impact Mini 5 nm Asymmetric UPE
	AMST200K1	Impact Mini 10 nm Asymmetric UPE
	AMAX200K1	Impact Mini 20 nm Symmetric UPE
	AMAZ200K1	Impact Mini 50 nm Symmetric UPE
	AMAV200K1	Impact Mini 0.1 µm Symmetric UPE
A2DT20001	A2DT200K1	Impact 2 Duo 10 nm
A2DY20001	A2DY200K1	Impact 2 Duo 30 nm
A2NT20001	A2NT200K1	Impact 2 Nylon 10 nm
A2NX20001	A2NX200K1	Impact 2 Nylon 20 nm

## For More Information

Please call your Regional Customer Service Center today to learn what Entegris can do for you. Visit [www.entegris.com](http://www.entegris.com) and select the "Customer Service" link for the center nearest you.

## Terms and Conditions of Sale

All purchases are subject to Entegris' "Terms and Conditions of Sale." To view and print this information, visit Entegris' website at [www.entegris.com](http://www.entegris.com) and select the Legal Notices link from the footer found on the home page.

Entegris® and Impact® are registered trademarks of Entegris, Inc. Flowell™ is a trademark of Flowell Corporation.; Pellar® is a registered trademark of Nippon Pellar Packaging Company, Ltd.

### ENTEGRIS, INC.

Corporate Headquarters / 3500 Lyman Boulevard / Chaska, Minnesota 55318 USA  
Customer Service Tel. +1 952-556-4181 / Customer Service Fax +1 952-556-8022  
[www.entegris.com](http://www.entegris.com)